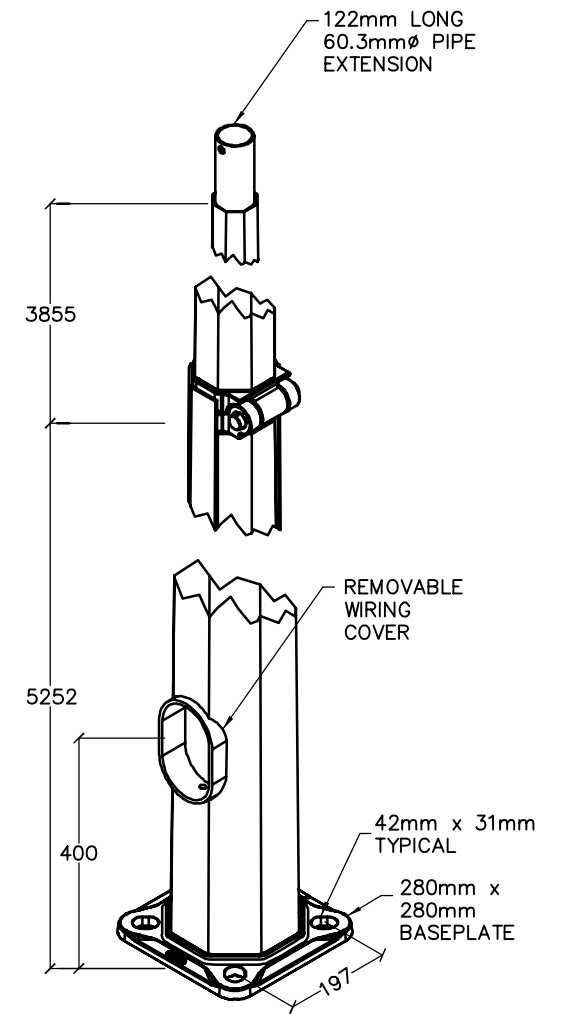
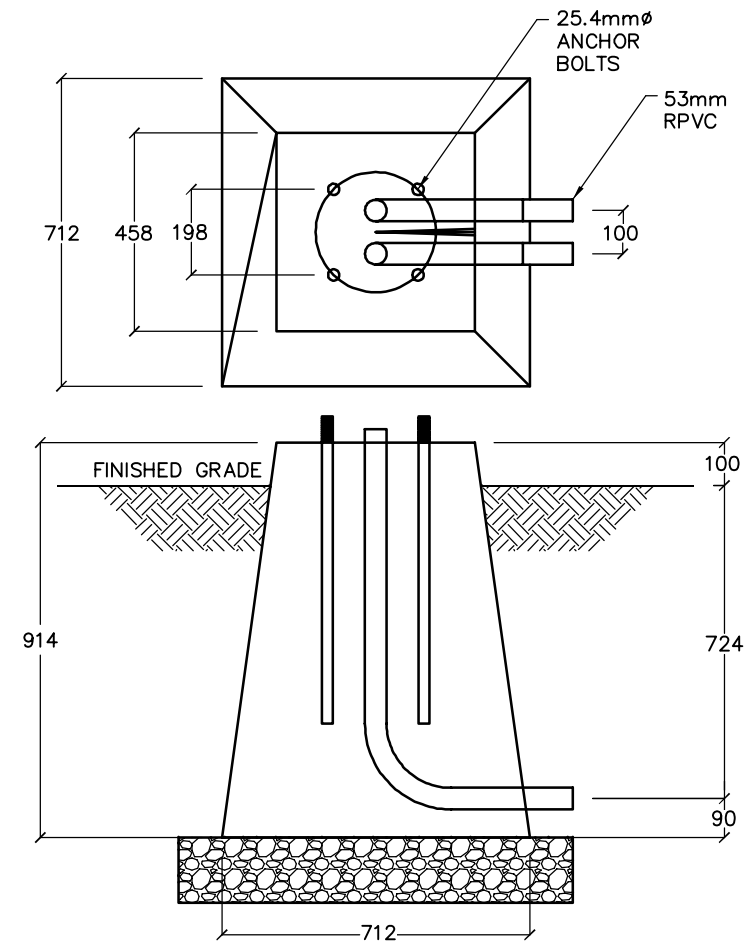
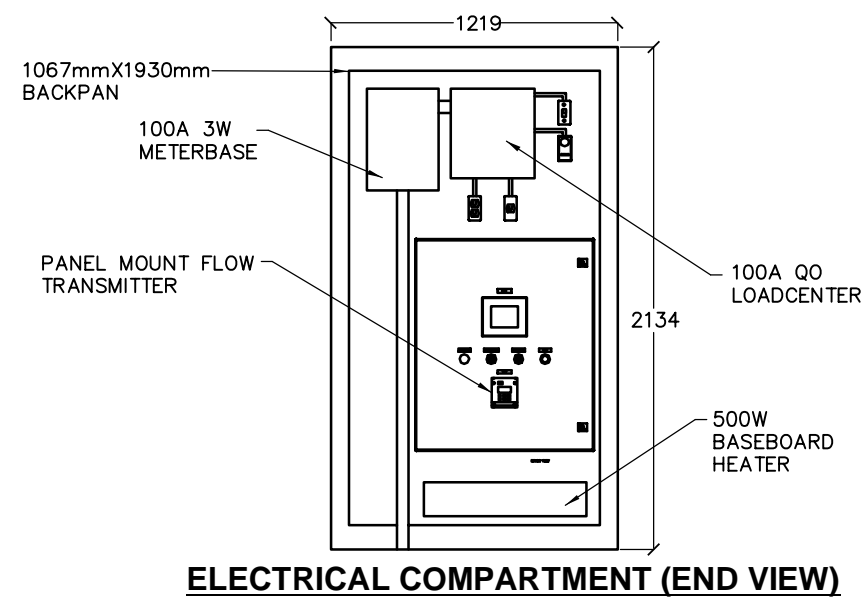
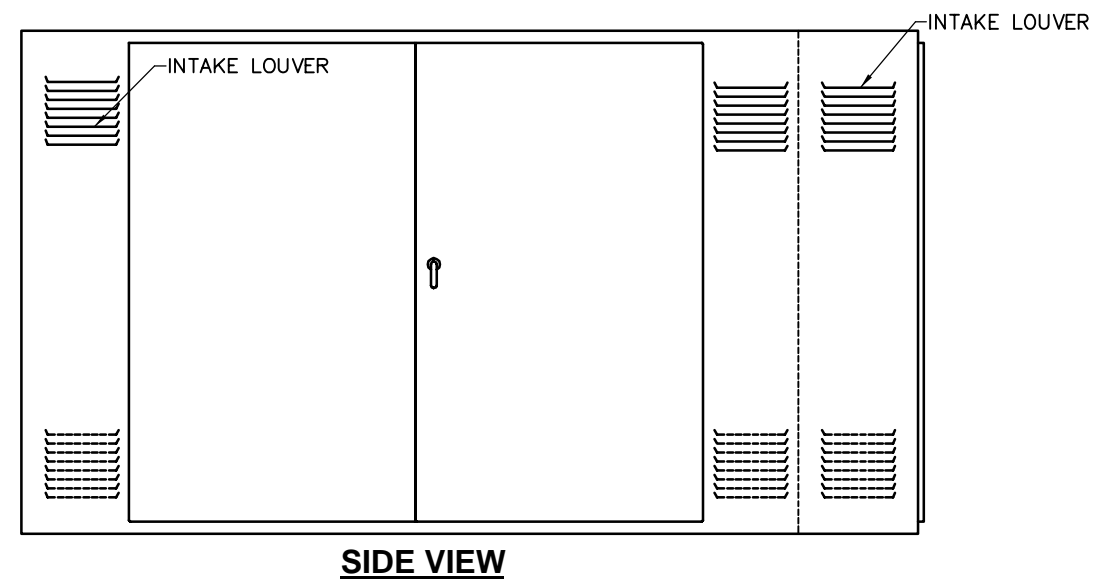
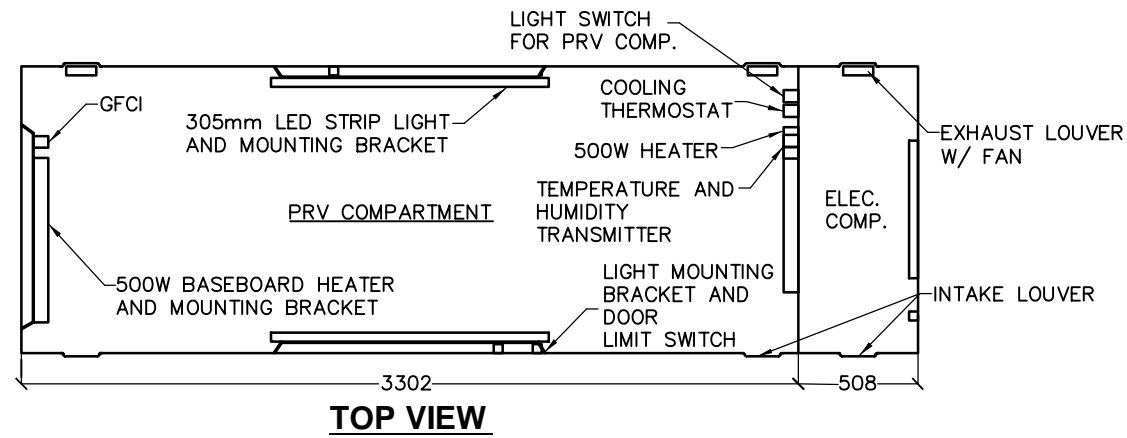


STANDARD DETAIL DRAWINGS



RADIO ANTENNA POLE AND BASE DETAILS

ANTENNA MAST: WEST COAST ENGINEERING 19430 9107mm OVERALL HEIGHT HINGED POLE, HOT DIPPED GALVANIZED. MOUNT ANTENNA MAST ASSEMBLY ON KON KAST (KELOWNA, B.C.) NUMBER 1045 STANDARD BASE

PRESSURE REDUCING STATION