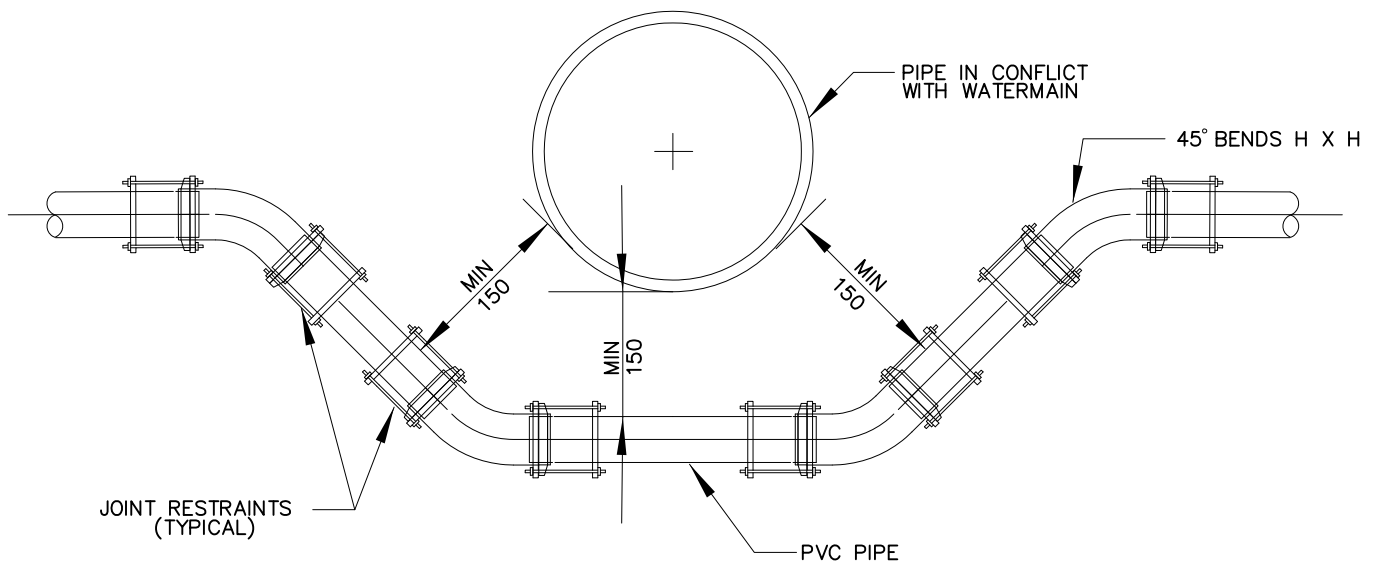


STANDARD DETAIL DRAWINGS



TYPICAL SECTION

NOTES:

1. ALL JOINT RESTRAINERS TO BE APPROVED AS PER POLICY 266 IN THE CITY OF KELOWNA SUBDIVISION AND SERVICING BYLAW.
2. ALL JOINTS TO BE RESTRAINED AS PER MMCD 02666, 2.2.13 AND THE CITY OF KELOWNA SUBDIVISION AND SERVICING BYLAW SCHEDULE 4 WATER, SECTION 1.13, AND/OR AS SPECIFIED IN THE CONTRACT DOCUMENTS OR DRAWINGS.

\\WU\DRAWING\STD-DWGS\MMCD-STD\SS-W51.dwg

**U-BEND DETAIL
(PIPE CROSSING CONFLICT)**

SS-W51

REV. SEPT. 27/01