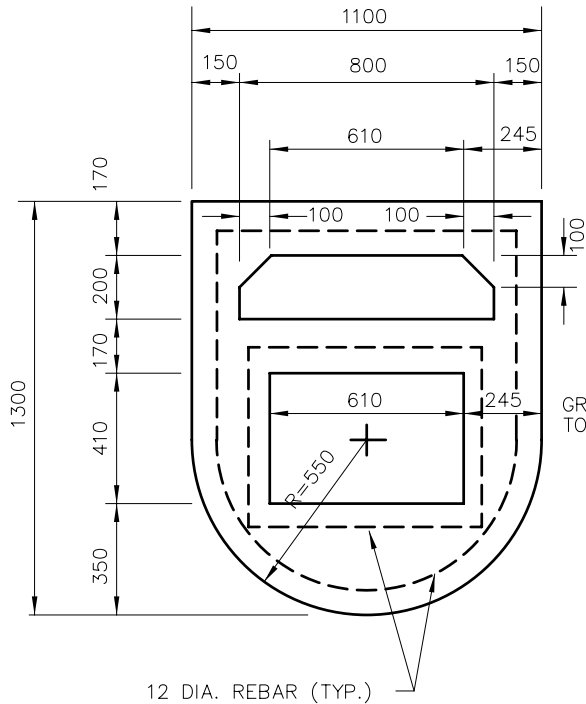
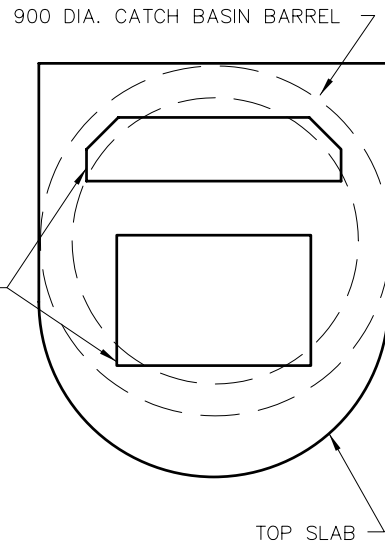


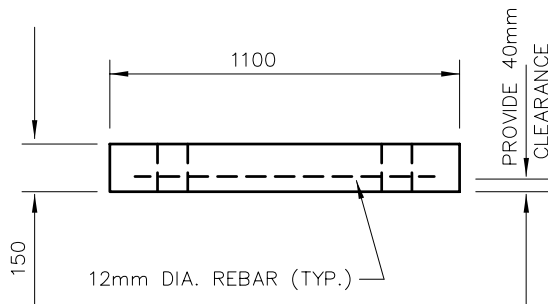
STANDARD DETAIL DRAWINGS



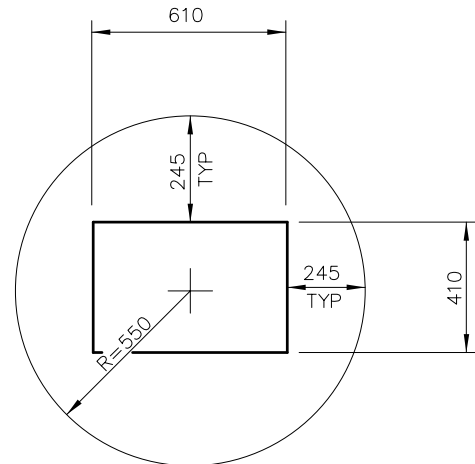
PLAN TOP SLAB



**POSITION OF TOP SLAB
ON 900mm DIA. CATCH BASIN**



FRONT ELEVATION



**TOP SLAB
(WITHOUT CURB INLET OPENING)**

NOTES:

1. ALL CONCRETE WORK TO BE A MINIMUM OF 30MP_a STRENGTH AND DESIGNED FOR H-20 LOADING.
2. MODIFY OPENINGS FOR ROLLOVER FRAME AND GRATE.

P:\DRAFTING\STD-DWGS\MACD-STD\SS-s11c.dwg

CATCH BASIN – TOP SLAB

APRIL 15/08

SS-S11c