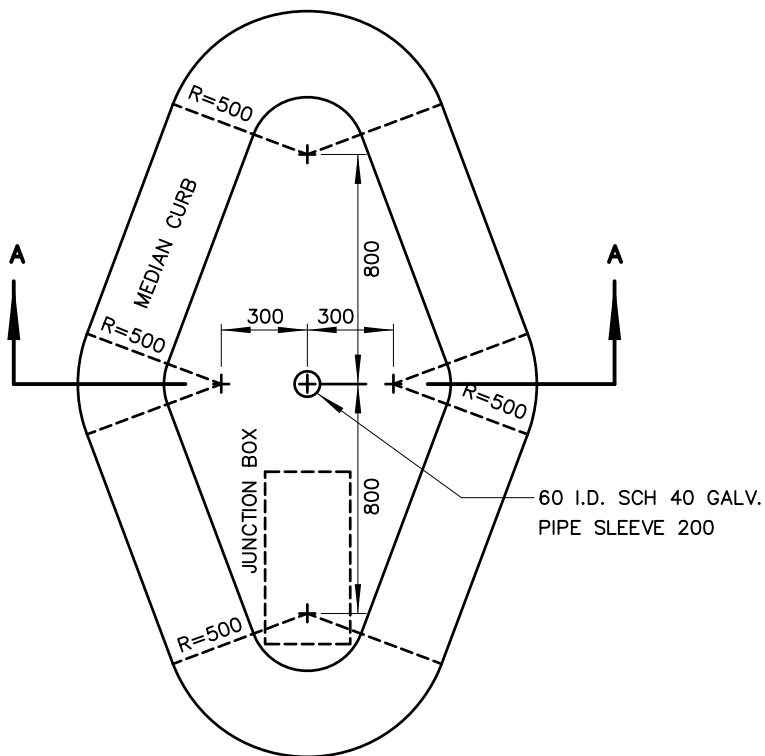
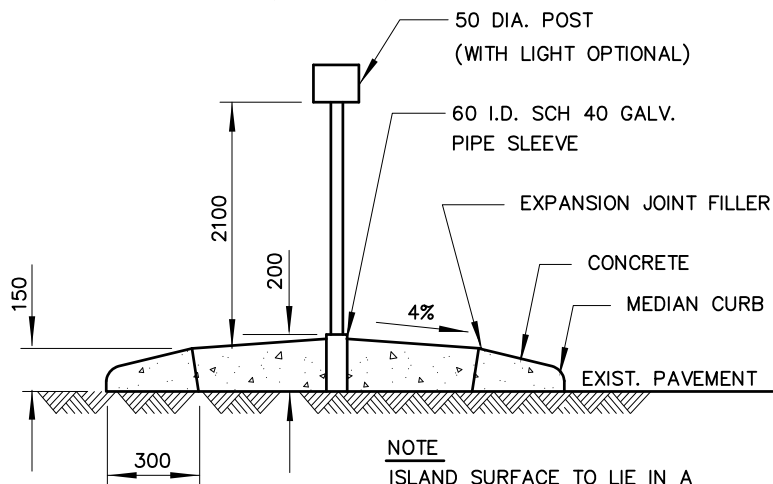


STANDARD DETAIL DRAWINGS



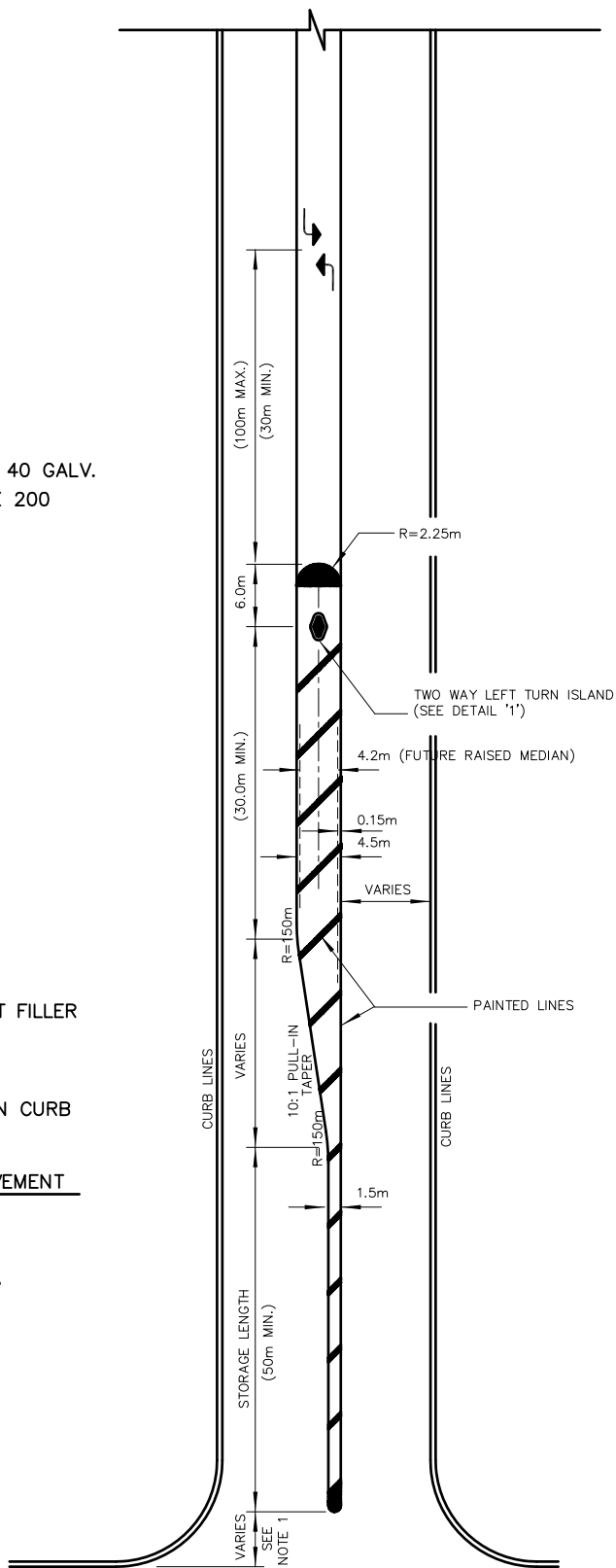
**PLAN OF RAISED ISLAND
(DETAIL '1')**



NOTE
ISLAND SURFACE TO LIE IN A
PLANE PARALLEL TO ROAD

NOTES

1. SHALL ACCOMMODATE SWATH FOR WB17 DESIGN VEHICLES
UNLESS OTHERWISE REQUIRED BY CITY ENGINEER.



NOV. 2/98

**LEFT TURN LANE (PAINTED) AND
TWO-WAY LEFT TURN LANE**

SS-R21