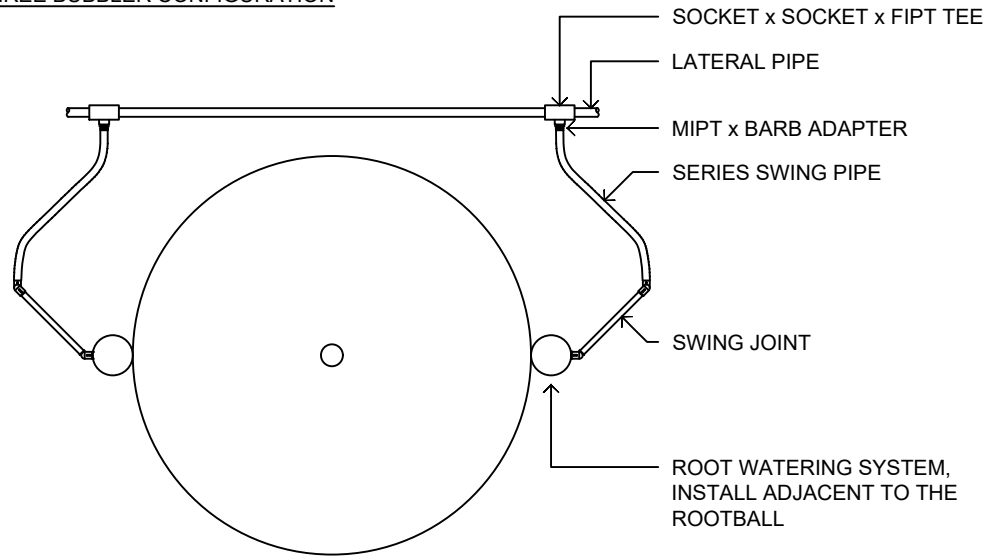
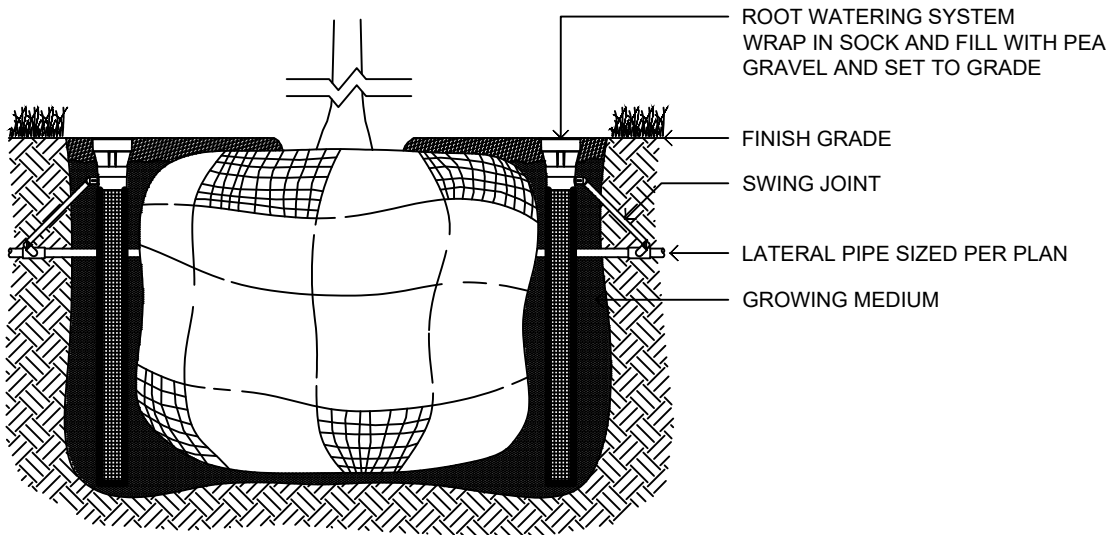


THREE BUBBLER CONFIGURATION



TWO BUBBLER CONFIGURATION



APRIL 2024

STANDARD
DETAIL
DRAWING

DETAIL TITLE:

**ROOT WATERING
SYSTEM**

DETAIL No.:

SS-IR.06c

SCALE:

1:20