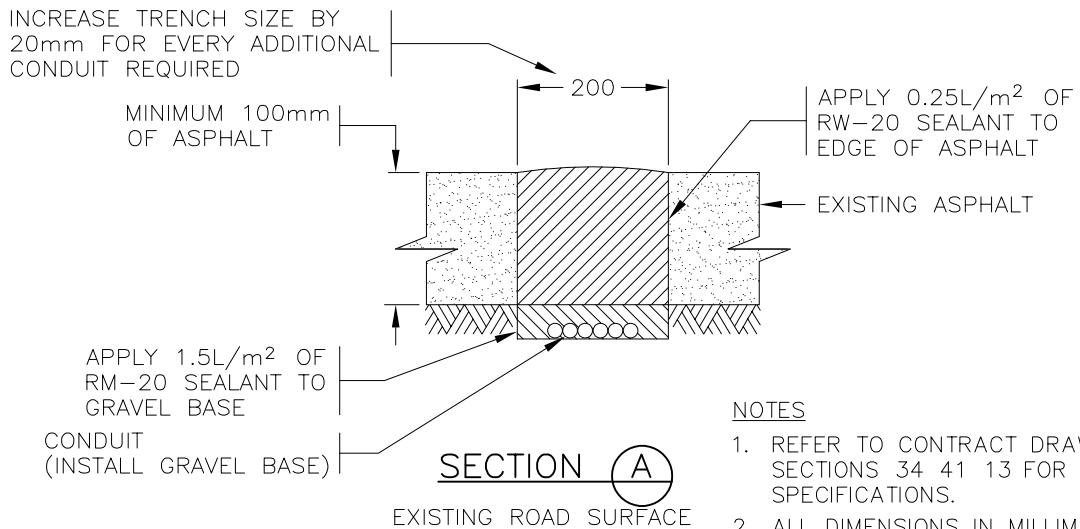


TYPICAL PREFORMED LOOP LAYOUT



NOTES

1. REFER TO CONTRACT DRAWINGS AND SECTIONS 34 41 13 FOR DETAILED SPECIFICATIONS.
2. ALL DIMENSIONS IN MILLIMETRES UNLESS OTHERWISE NOTED.

**STANDARD
DETAIL
DRAWING**

DATE:
07/20/20
SCALE:
NTS

**PRE-FORMED DIAMOND
DETECTOR LOOPS**

DWG. NO.

SS-E8.10

