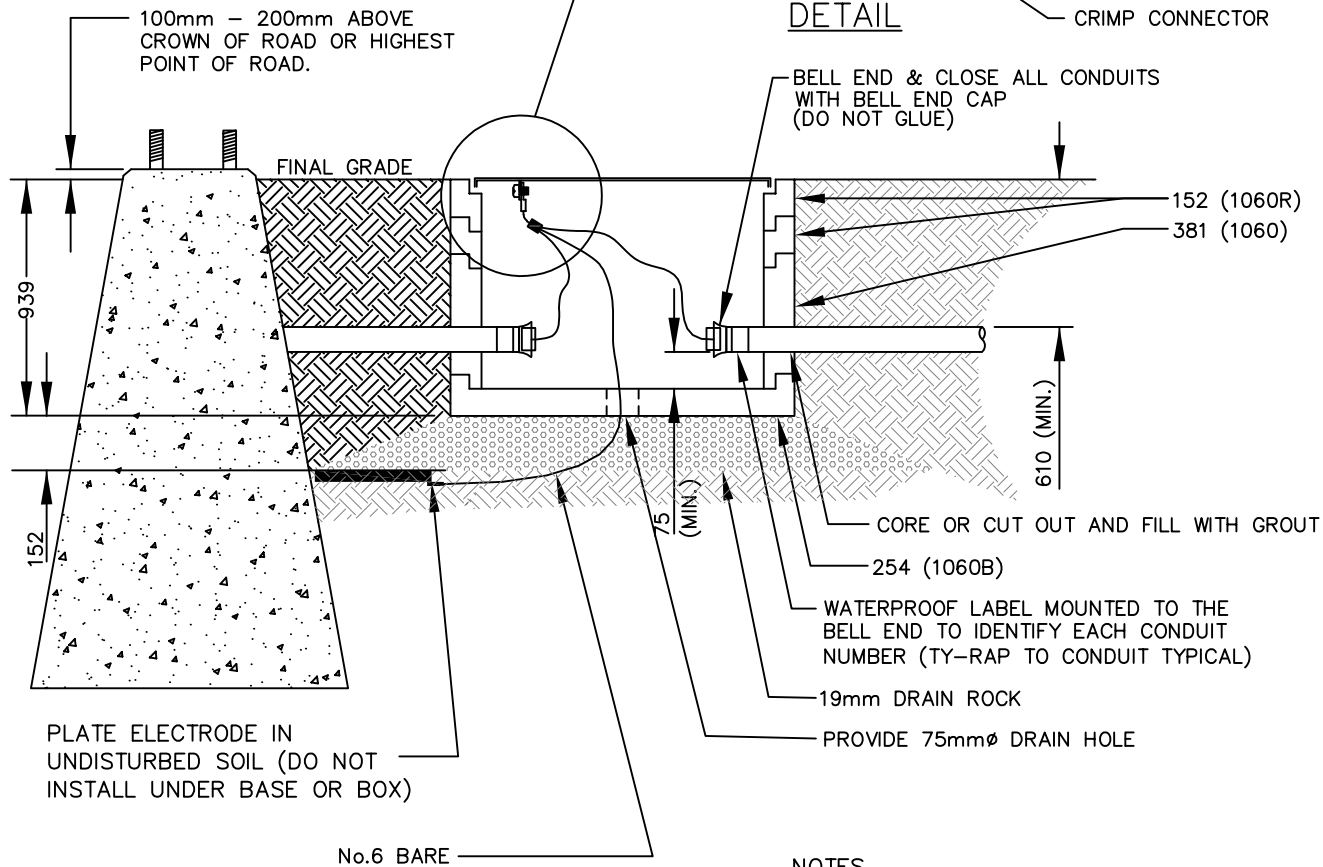
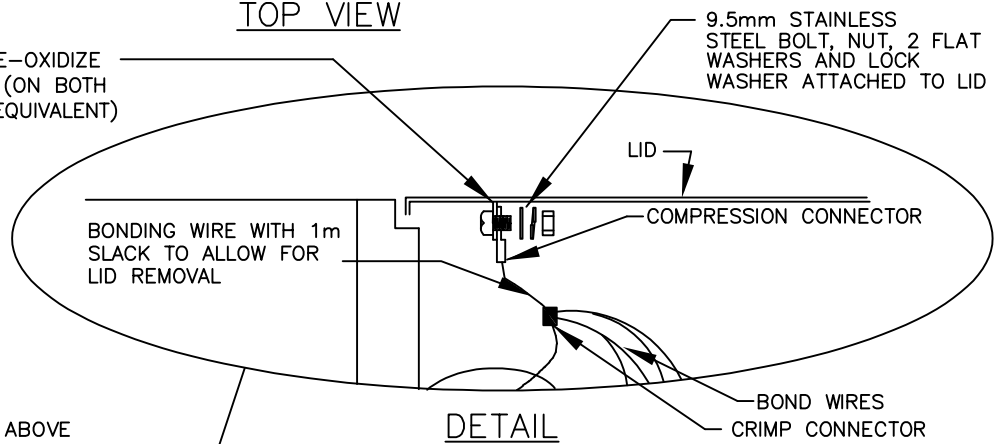


REMOVE PAINT AND APPLY DE-OXIDIZE COMPOUND TO GROUND TAB (ON BOTH SIDES) (USE PENETROX OR EQUIVALENT)



SECTION A-A
N.T.S

- NOTES**
1. REFER TO CONTRACT DRAWINGS AND SECTIONS 34 41 13 FOR DETAILED SPECIFICATIONS.
 2. ALL DIMENSIONS IN MILLIMETRES UNLESS OTHERWISE NOTED.
 3. INSTALL RUBBER TAPE OVER MARRETTE FOLLOWED BY A LAYER OF BLACK ELECTRICAL TAPE

STANDARD DETAIL DRAWING	DATE: 07/20/20	TRAFFIC SIGNAL JUNCTION BOX DETAILS	DWG. NO.	 City of Kelowna
	SCALE: NTS		SS-E2.4	