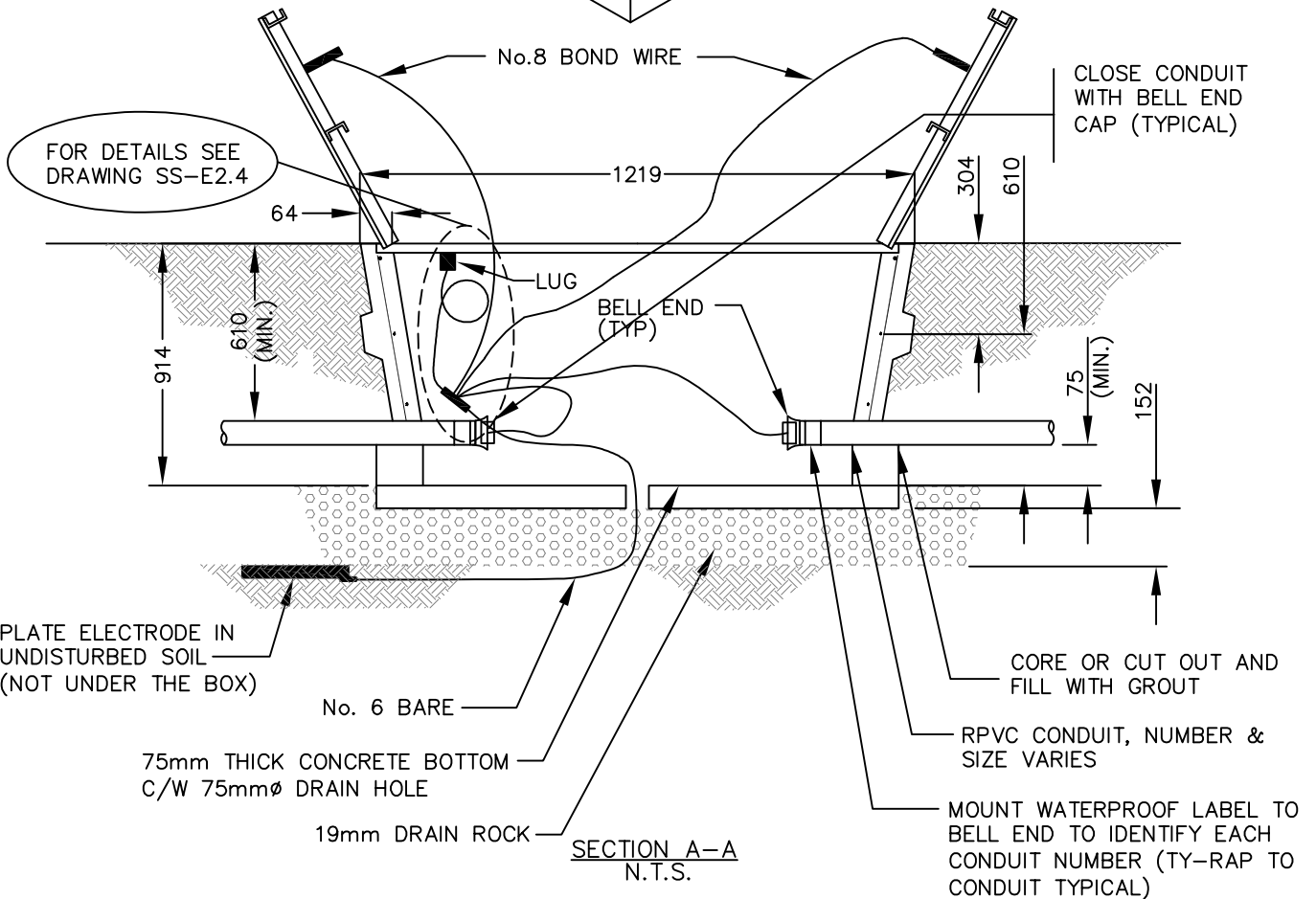
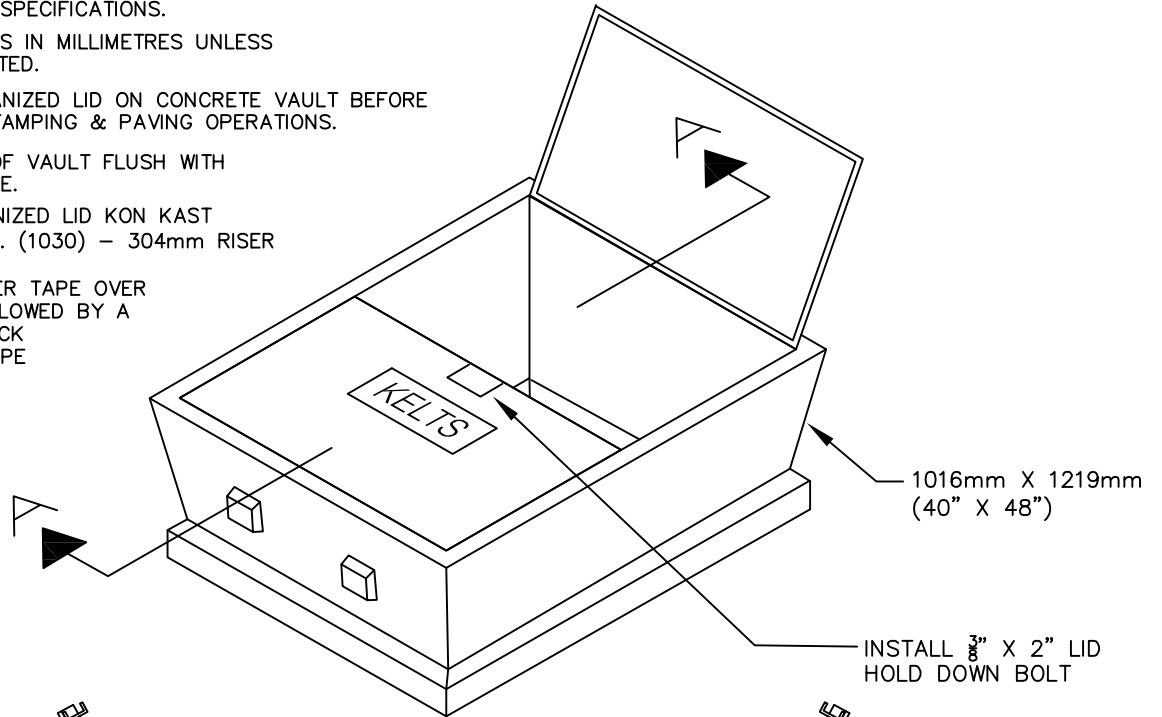


BYLAW NOTE

NOTES

1. REFER TO CONTRACT DRAWINGS AND SECTIONS 34 41 13 FOR DETAILED SPECIFICATIONS.
2. ALL DIMENSIONS IN MILLIMETRES UNLESS OTHERWISE NOTED.
3. INSTALL GALVANIZED LID ON CONCRETE VAULT BEFORE BACKFILLING, TAMPING & PAVING OPERATIONS.
4. INSTALL TOP OF VAULT FLUSH WITH FINISHED GRADE.
5. BOX & GALVANIZED LID KON KAST PRODUCTS LTD. (1030) – 304mm RISER
6. INSTALL RUBBER TAPE OVER MARRETTE FOLLOWED BY A LAYER OF BLACK ELECTRICAL TAPE



**STANDARD  
DETAIL  
DRAWING**

DATE:  
07/20/20  
SCALE:  
NTS

**TRAFFIC SIGNAL MAIN VAULT  
DETAILS**

DWG. NO.

**SS-E2.3**

