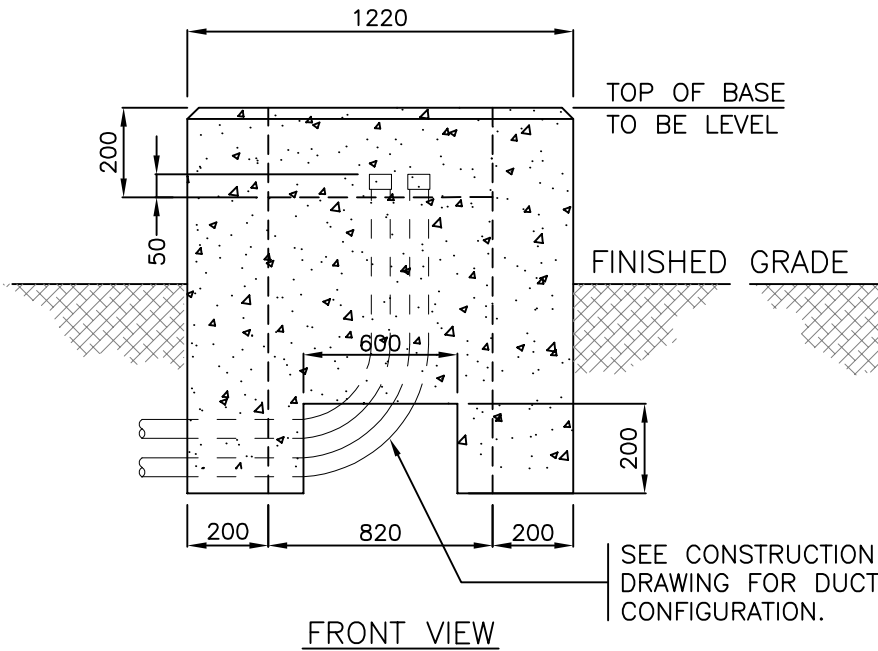
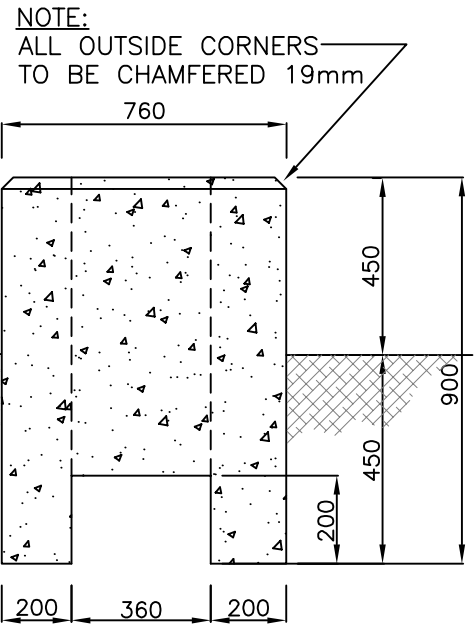


PLAN VIEW



FRONT VIEW



SIDE VIEW

NOTE:
ALL OUTSIDE CORNERS
TO BE CHAMFERED 19mm

NOTES

1. REFER TO CONTRACT DRAWINGS AND SECTION 34 41 13 FOR DETAILED SPECIFICATIONS.
2. ALL DIMENSIONS IN MILLIMETERS UNLESS OTHERWISE NOTED.
3. BASES TO BE PRE-CAST OR CAST-IN-PLACE.
4. BASE TO BE LOCATED A MINIMUM 1.5m AWAY FROM ANY OTHER ELECTRICAL EQUIPMENT OR STRUCTURE.

**STANDARD
DETAIL
DRAWING**

DATE:
07/20/20
SCALE:
NTS

**TYPE P (NEMA CABINET)
CONCRETE CONTROLLER BASE**

DWG. NO.

SS-E1.2

